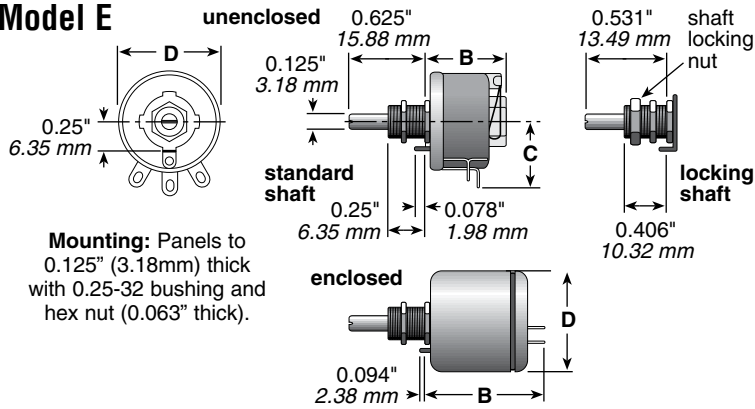
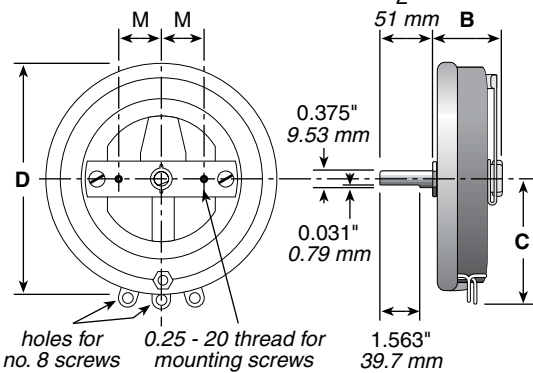


Model E



Mounting: Panels to 0.125" (3.18mm) thick with 0.25-32 bushing and hex nut (0.063" thick).

Models P, N, R, U



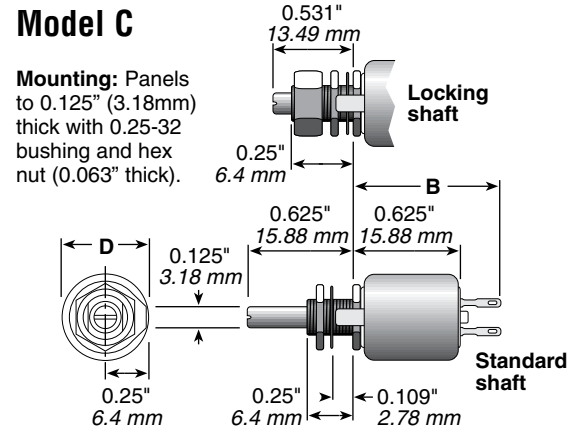
Dimension "M"

| | | |
|---|--------|----------|
| P | 0.875" | 22.23 mm |
| N | 1.188" | 30.16 mm |
| R | 1.5" | 38.1 mm |
| U | 3" | 76.2 mm |

Mounting: Panels to 1.25" (31.75mm) thick with 0.25-20 flat-head screws.

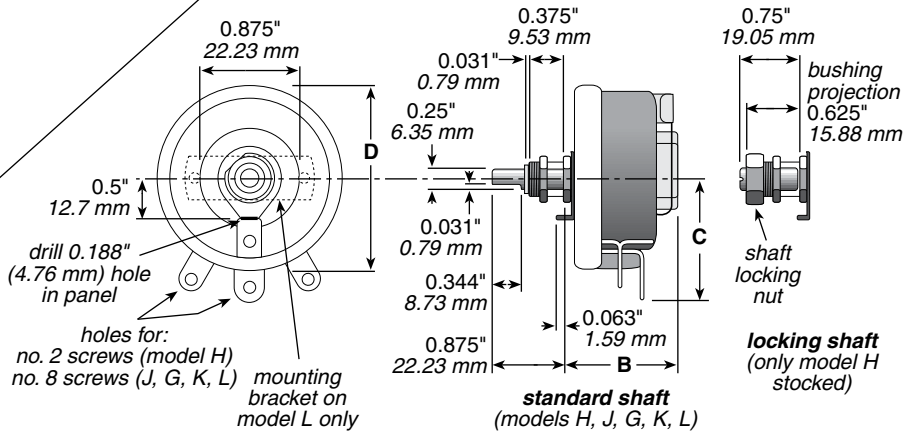
Rheostats (Potentiometers) Wirewound

Model C



Mounting: Panels to 0.125" (3.18mm) thick with 0.25-32 bushing and hex nut (0.063" thick).

Models H, J, G, K, L



Mounting: Panels to 0.25" (6.35mm) thick with 0.375-32 bushing and hex nut (0.094" thick) (or with 10-32 x 0.75 F.H. screws for model L only).

Dimensions for reference only; consult factory for details.

Since all rheostats/potentiometers are electro-mechanical devices, they are subject to mechanical wear and, therefore, have a finite life.

Models H, J, K, L and N are listed under UL Reexamination Service File No. E-10946 and CSA File No. 21309 unless noted otherwise.

See page 82 for knobs, dials, and other hardware

All rheostats are 10% tolerance.

ORDERING INFORMATION

Series: Rheostats, Wirewound, Potentiometers

E = RoHS compliant

RCSR50E

| Code | Watts | Model | Shaft | Core | Resistance Value* |
|------|-------|-------|----------|----------|-------------------|
| CL = | 7.5 | C | Locking | Enclosed | R50 = 0.50Ω |
| CS = | 7.5 | C | Standard | Enclosed | 1R0 = 1Ω |
| EE = | 12.5 | E | Standard | Enclosed | 7R5 = 7.5Ω |
| EL = | 12.5 | E | Locking | Open | 250 = 250Ω |
| ES = | 12.5 | E | Standard | Open | 1K0 = 1,000Ω |
| GS = | 75 | G | Standard | Open | 1K75 = 1,750Ω |
| HL = | 25 | H | Locking | Open | 4K5 = 4,500Ω |
| HS = | 25 | H | Standard | Open | 50K = 50,000Ω |
| JS = | 50 | J | Standard | Open | |
| KS = | 100 | K | Standard | Open | |
| LS = | 150 | L | Standard | Open | |
| NS = | 300 | N | Standard | Open | |
| PS = | 225 | P | Standard | Open | |
| RS = | 500 | R | Standard | Open | |
| US = | 1000 | U | Standard | Open | |

*Check Table for Standard Resistance Values and Maximum Current Values

| Model | Type | Watts | Ohmic range | Core | Max. Voltage (RMS)* | Behind panel "B" (In./mm) | Diameter "D" (In./mm) | Dimension "C" (In./mm) | Shaft torque | Rotation (±5°) |
|-------|---------|-------|-------------|----------|---------------------|---------------------------|-----------------------|------------------------|------------------|----------------|
| E | RES/REL | 12.5 | 1.0-15K | open | 305 | 0.688/17.46 | 0.875/ 22.23 | 0.594/15.08 | 1-6 oz. in. | 300° |
| H | RHS/RHL | 25 | 1.0-25K | open | 500 | 1.375/34.93 | 1.560/ 39.62 | 0.940/23.88 | 0.25-0.5 lb. in. | 300° |
| J | RJS | 50 | 0.5-50K | open | 750 | 1.375/34.93 | 2.31 / 58.67 | 1.56 /39.62 | 0.25-2 lb. in. | 300° |
| G | RGS | 75 | 0.5-50K | open | 900 | 1.750/44.45 | 2.75 / 69.25 | 1.78 /45.21 | 0.5-2 lb. in. | 300° |
| K | RKS | 100 | 0.5-50K | open | 1000 | 1.750/44.45 | 3.125/ 79.38 | 1.91 /48.51 | 0.5-2 lb. in. | 300° |
| L | RLS | 150 | 0.5-50K | open | 1200 | 2.000 / 50.8 | 4.00 /101.60 | 2.28 /57.91 | 0.5-3 lb. in. | 300° |
| P | RPS | 225 | 1.0-30K | open | 1300 | 2.125/53.98 | 5.00 /127.00 | 2.97 /75.44 | 2.5-4 lb. in. | 310° |
| N | RNS | 300 | 1.0-50K | open | 1225 | 2.375/60.33 | 6.00 /152.40 | 3.44 /87.38 | 2.5-5 lb. in. | 320° |
| R | RRS | 500 | 1.0-20K | open | 1450 | 2.125/53.98 | 8.00 /203.20 | 4.31/109.47 | 4.5-7 lb. in. | 325° |
| U | RUS | 1000 | 1.0-20K | open | 1600 | 3.000 / 76.2 | 12.00 /304.80 | 6.38/162.05 | 3.5-7 lb. in. | 335° |
| C | RCS/RCL | 7.5 | 10.0-5K | enclosed | 305 | 0.875/22.23 | 0.515/ 13.08 | — | 0.25-3 oz. in. | 300° |
| E | REE | 12.5 | 1.0-15K | enclosed | 305 | 1.219/30.96 | 1.047/ 26.59 | — | 1-6 oz. in. | 300° |

- Models H, J, G, and K also available in enclosed versions.
- See Catalog #203 for complete details.
- RoHS compliant product available. Add "E" suffix to part number to specify.
- Made-to-order rheostats available: Contact nearest Ohmite sales office.
- * Voltage rating dependent on resistance value.

STANDARD PART NUMBERS FOR RHEOSTATS

| Ohmic value | Part No. Prefix □ Suffix □ | 7.5W Model C | | | 12.5W Model E | | | 25W Model H | | | 50W Model J | 75W Model G | 100W Model K | 150W Model L | 225W Model P | 300W Model N | 500W Model R | 1000W Model U |
|-------------|-------------------------------|-------------------|----------------|-----------|-------------------|----------------|-----------------|-------------|-------------------|----------------|-------------|------------------|------------------|------------------|------------------|------------------|------------------|------------------|
| | | Std. shaft RCS | Locking RCL | Amps max. | Std. shaft RES | Locking REL | Enclosed REE | Amps max. | Std. shaft RHS | Locking RHL | Amps max. | RJS Amps max. | RGS Amps max. | RKS Amps max. | RLS Amps max. | RPS Amps max. | RNS Amps max. | RRS Amps max. |
| 0.5 | —R50 | | | | | | | | | | ✓ 10.0 | ✓ 12.3 | ✓ 14.1 | ✓ 17.3 | | | | |
| 1 | —1R0 | | | | ✓ | ✓ | ✓ 3.53 | ✓ | ✓ | 5.00 | ✓ 7.07 | ✓ 8.66 | ✓ 10 | ✓ 12.3 | ✓ 15.0 | ✓ 17.32 | ✓ 22.3 | ✓ 31.6 |
| 1.5 | —1R5 | | | | ✓ | ✓ | ✓ 3.53 | ✓ | ✓ | 5.00 | ✓ 7.07 | ✓ 8.66 | ✓ 10 | ✓ 12.3 | ✓ 15.0 | ✓ 17.32 | ✓ 22.3 | ✓ 31.6 |
| 2 | —2R0 | | | | ✓ | ✓ | ✓ 2.50 | ✓ | ✓ | 3.54 | ✓ 5.00 | ✓ 6.12 | ✓ 7.07 | ✓ 8.65 | ✓ 10.6 | ✓ 12.24 | ✓ 15.8 | ✓ 22.4 |
| 2.5 | —2R5 | | | | ✓ | ✓ | ✓ 2.24 | ✓ | ✓ | 2.04 | ✓ 2.88 | ✓ 3.16 | ✓ 3.65 | ✓ 4.47 | ✓ 5.49 | ✓ 6.32 | ✓ 7.90 | ✓ 11.2 |
| 3 | —3R0 | | | | ✓ | ✓ | ✓ 2.04 | ✓ | ✓ | 2.88 | ✓ 3.53 | ✓ 5.00 | ✓ 5.75 | ✓ 7.07 | ✓ 8.66 | ✓ 10.00 | ✓ 12.9 | ✓ 18.3 |
| 4 | —4R0 | | | | ✓ | ✓ | ✓ 1.58 | ✓ | ✓ | 2.04 | ✓ 2.88 | ✓ 3.88 | ✓ 4.47 | ✓ 5.48 | ✓ 6.71 | ✓ 7.75 | ✓ 11.2 | ✓ 15.8 |
| 5 | —5R0 | | | | ✓ | ✓ | ✓ 1.44 | ✓ | ✓ | 2.04 | ✓ 2.88 | ✓ 3.88 | ✓ 4.47 | ✓ 5.48 | ✓ 6.71 | ✓ 7.75 | ✓ 11.2 | ✓ 15.8 |
| 6 | —6R0 | | | | ✓ | ✓ | ✓ 1.44 | ✓ | ✓ | 2.04 | ✓ 2.88 | ✓ 3.88 | ✓ 4.47 | ✓ 5.48 | ✓ 6.71 | ✓ 7.75 | ✓ 11.2 | ✓ 15.8 |
| 7.5 | —7R5 | | | | ✓ | ✓ | ✓ 1.44 | ✓ | ✓ | 2.04 | ✓ 2.88 | ✓ 3.88 | ✓ 4.47 | ✓ 5.48 | ✓ 6.71 | ✓ 7.75 | ✓ 11.2 | ✓ 15.8 |
| 8 | —8R0 | | | | ✓ | ✓ | ✓ 1.25 | ✓ | ✓ | 1.77 | ✓ 2.50 | ✓ 2.74 | ✓ 3.16 | ✓ 3.88 | ✓ 4.74 | ✓ 5.48 | ✓ 7.90 | ✓ 11.2 |
| 10 | —10R | ✓ | ✓ | 0.86 | ✓ | ✓ | ✓ 1.12 | ✓ | ✓ | 1.58 | ✓ 2.04 | ✓ 2.74 | ✓ 3.16 | ✓ 3.88 | ✓ 4.74 | ✓ 5.48 | ✓ 7.90 | ✓ 11.2 |
| 12 | —12R | | | | ✓ | ✓ | ✓ 1.12 | ✓ | ✓ | 1.58 | ✓ 2.04 | ✓ 2.74 | ✓ 3.16 | ✓ 3.88 | ✓ 4.74 | ✓ 5.48 | ✓ 7.90 | ✓ 11.2 |
| 12.5 | —12R5 | | | | ✓ | ✓ | ✓ 0.91 | ✓ | ✓ | 1.29 | ✓ 1.76 | ✓ 2.17 | ✓ 2.50 | ✓ 3.163 | ✓ 3.87 | ✓ 4.47 | ✓ 6.30 | ✓ 8.95 |
| 15 | —15R | ✓ | ✓ | 0.71 | ✓ | ✓ | ✓ 0.91 | ✓ | ✓ | 1.29 | ✓ 1.76 | ✓ 2.17 | ✓ 2.50 | ✓ 3.163 | ✓ 3.87 | ✓ 4.47 | ✓ 6.30 | ✓ 8.95 |
| 16 | —16R | | | | ✓ | ✓ | ✓ 0.71 | ✓ | ✓ | 1.00 | ✓ 1.76 | ✓ 2.17 | ✓ 2.50 | ✓ 3.163 | ✓ 3.87 | ✓ 4.47 | ✓ 6.30 | ✓ 8.95 |
| 22 | —22R | | | | ✓ | ✓ | ✓ 0.71 | ✓ | ✓ | 1.00 | ✓ 1.76 | ✓ 2.17 | ✓ 2.50 | ✓ 3.163 | ✓ 3.87 | ✓ 4.47 | ✓ 6.30 | ✓ 8.95 |
| 25 | —25R | ✓ | ✓ | 0.55 | ✓ | ✓ | ✓ 0.71 | ✓ | ✓ | 1.00 | ✓ 1.76 | ✓ 2.17 | ✓ 2.50 | ✓ 3.163 | ✓ 3.87 | ✓ 4.47 | ✓ 6.30 | ✓ 8.95 |
| 35 | —35R | ✓ | ✓ | 0.46 | ✓ | ✓ | ✓ 0.60 | ✓ | ✓ | 0.845 | ✓ 1.19 | ✓ 1.73 | ✓ 2.0 | ✓ 2.450 | ✓ 3.00 | ✓ 3.46 | ✓ 4.47 | ✓ 6.33 |
| 40 | —40R | | | | ✓ | ✓ | ✓ 0.60 | ✓ | ✓ | 0.845 | ✓ 1.19 | ✓ 1.73 | ✓ 2.0 | ✓ 2.450 | ✓ 3.00 | ✓ 3.46 | ✓ 4.47 | ✓ 6.33 |
| 50 | —50R | ✓ | ✓ | 0.39 | ✓ | ✓ | ✓ 0.50 | ✓ | ✓ | 0.707 | ✓ 1.00 | ✓ 1.23 | ✓ 1.41 | ✓ 1.735 | ✓ 2.12 | ✓ 2.45 | ✓ 3.16 | ✓ 4.47 |
| 75 | —75R | ✓ | ✓ | 0.32 | ✓ | ✓ | ✓ 0.40 | ✓ | ✓ | 0.575 | ✓ 1.00 | ✓ 1.00 | ✓ 1.15 | ✓ 1.415 | ✓ 1.73 | ✓ 2.00 | ✓ 3.16 | ✓ 4.47 |
| 80 | —80R | | | | ✓ | ✓ | ✓ 0.40 | ✓ | ✓ | 0.575 | ✓ 1.00 | ✓ 1.00 | ✓ 1.15 | ✓ 1.415 | ✓ 1.73 | ✓ 2.00 | ✓ 3.16 | ✓ 4.47 |
| 100 | —100R | ✓ | ✓ | 0.27 | ✓ | ✓ | ✓ 0.36 | ✓ | ✓ | 0.500 | ✓ 0.790 | ✓ 0.866 | ✓ 1.00 | ✓ 1.225 | ✓ 1.50 | ✓ 1.73 | ✓ 2.52 | ✓ 3.16 |
| 125 | —125 | ✓ | ✓ | 0.27 | ✓ | ✓ | ✓ 0.32 | ✓ | ✓ | 0.445 | ✓ 0.630 | ✓ 0.866 | ✓ 1.00 | ✓ 1.225 | ✓ 1.50 | ✓ 1.73 | ✓ 2.52 | ✓ 3.16 |
| 150 | —150 | ✓ | ✓ | 0.22 | ✓ | ✓ | ✓ 0.29 | ✓ | ✓ | 0.316 | ✓ 0.575 | ✓ 0.866 | ✓ 1.00 | ✓ 1.225 | ✓ 1.50 | ✓ 1.73 | ✓ 2.52 | ✓ 3.16 |
| 160 | —160 | | | | ✓ | ✓ | ✓ 0.29 | ✓ | ✓ | 0.316 | ✓ 0.575 | ✓ 0.866 | ✓ 1.00 | ✓ 1.225 | ✓ 1.50 | ✓ 1.73 | ✓ 2.52 | ✓ 3.16 |
| 175 | —175 | | | | ✓ | ✓ | ✓ 0.27 | ✓ | ✓ | 0.375 | ✓ 0.470 | ✓ 0.612 | ✓ 0.707 | ✓ 0.865 | ✓ 1.06 | ✓ 1.22 | ✓ 1.69 | ✓ 2.39 |
| 200 | —200 | ✓ | ✓ | 0.19 | ✓ | ✓ | ✓ 0.25 | ✓ | ✓ | 0.375 | ✓ 0.470 | ✓ 0.612 | ✓ 0.707 | ✓ 0.865 | ✓ 1.06 | ✓ 1.22 | ✓ 1.69 | ✓ 2.39 |
| 225 | —225 | | | | ✓ | ✓ | ✓ 0.25 | ✓ | ✓ | 0.375 | ✓ 0.470 | ✓ 0.612 | ✓ 0.707 | ✓ 0.865 | ✓ 1.06 | ✓ 1.22 | ✓ 1.69 | ✓ 2.39 |
| 250 | —250 | ✓ | ✓ | 0.17 | ✓ | ✓ | ✓ 0.22 | ✓ | ✓ | 0.316 | ✓ 0.408 | ✓ 0.433 | ✓ 0.500 | ✓ 0.655 | ✓ 0.750 | ✓ 0.866 | ✓ 1.41 | ✓ 1.83 |
| 300 | —300 | | | | ✓ | ✓ | ✓ 0.22 | ✓ | ✓ | 0.316 | ✓ 0.408 | ✓ 0.433 | ✓ 0.500 | ✓ 0.655 | ✓ 0.750 | ✓ 0.866 | ✓ 1.41 | ✓ 1.83 |
| 325 | —325 | | | | ✓ | ✓ | ✓ 0.22 | ✓ | ✓ | 0.316 | ✓ 0.408 | ✓ 0.433 | ✓ 0.500 | ✓ 0.655 | ✓ 0.750 | ✓ 0.866 | ✓ 1.41 | ✓ 1.83 |
| 350 | —350 | ✓ | ✓ | 0.15 | ✓ | ✓ | ✓ 0.19 | ✓ | ✓ | 0.267 | ✓ 0.408 | ✓ 0.433 | ✓ 0.500 | ✓ 0.655 | ✓ 0.750 | ✓ 0.866 | ✓ 1.41 | ✓ 1.83 |
| 400 | —400 | | | | ✓ | ✓ | ✓ 0.19 | ✓ | ✓ | 0.267 | ✓ 0.408 | ✓ 0.433 | ✓ 0.500 | ✓ 0.655 | ✓ 0.750 | ✓ 0.866 | ✓ 1.41 | ✓ 1.83 |
| 500 | —500 | ✓ | ✓ | 0.12 | ✓ | ✓ | ✓ 0.16 | ✓ | ✓ | 0.222 | ✓ 0.316 | ✓ 0.388 | ✓ 0.447 | ✓ 0.548 | ✓ 0.750 | ✓ 0.866 | ✓ 1.41 | ✓ 1.83 |
| 600 | —600 | | | | ✓ | ✓ | ✓ 0.16 | ✓ | ✓ | 0.222 | ✓ 0.316 | ✓ 0.388 | ✓ 0.447 | ✓ 0.548 | ✓ 0.750 | ✓ 0.866 | ✓ 1.41 | ✓ 1.83 |
| 700 | —700 | | | | ✓ | ✓ | ✓ 0.16 | ✓ | ✓ | 0.222 | ✓ 0.316 | ✓ 0.388 | ✓ 0.447 | ✓ 0.548 | ✓ 0.750 | ✓ 0.866 | ✓ 1.41 | ✓ 1.83 |
| 750 | —750 | ✓ | ✓ | 0.10 | ✓ | ✓ | ✓ 0.13 | ✓ | ✓ | 0.182 | ✓ 0.224 | ✓ 0.316 | ✓ 0.365 | ✓ 0.447 | ✓ 0.548 | ✓ 0.655 | ✓ 0.817 | ✓ 1.15 |
| 800 | —800 | | | | ✓ | ✓ | ✓ 0.13 | ✓ | ✓ | 0.182 | ✓ 0.224 | ✓ 0.316 | ✓ 0.365 | ✓ 0.447 | ✓ 0.548 | ✓ 0.655 | ✓ 0.817 | ✓ 1.15 |
| 900 | —900 | | | | ✓ | ✓ | ✓ 0.13 | ✓ | ✓ | 0.182 | ✓ 0.224 | ✓ 0.316 | ✓ 0.365 | ✓ 0.447 | ✓ 0.548 | ✓ 0.655 | ✓ 0.817 | ✓ 1.15 |
| 1000 | —1K0 | ✓ | ✓ | 0.086 | ✓ | ✓ | ✓ 0.10 | ✓ | ✓ | 0.155 | ✓ 0.224 | ✓ 0.274 | ✓ 0.316 | ✓ 0.447 | ✓ 0.548 | ✓ 0.655 | ✓ 0.817 | ✓ 1.15 |
| 1200 | —1K2 | | | | ✓ | ✓ | ✓ 0.10 | ✓ | ✓ | 0.155 | ✓ 0.224 | ✓ 0.274 | ✓ 0.316 | ✓ 0.447 | ✓ 0.548 | ✓ 0.655 | ✓ 0.817 | ✓ 1.15 |
| 1250 | —1K25 | | | | ✓ | ✓ | ✓ 0.10 | ✓ | ✓ | 0.155 | ✓ 0.224 | ✓ 0.274 | ✓ 0.316 | ✓ 0.447 | ✓ 0.548 | ✓ 0.655 | ✓ 0.817 | ✓ 1.15 |
| 1500 | —1K5 | ✓ | ✓ | 0.071 | ✓ | ✓ | ✓ 0.090 | ✓ | ✓ | 0.129 | ✓ 0.224 | ✓ 0.224 | ✓ 0.258 | ✓ 0.387 | ✓ 0.447 | ✓ 0.577 | ✓ 0.816 | ✓ 1.15 |
| 1600 | —1K6 | | | | ✓ | ✓ | ✓ 0.090 | ✓ | ✓ | 0.129 | ✓ 0.224 | ✓ 0.224 | ✓ 0.258 | ✓ 0.387 | ✓ 0.447 | ✓ 0.577 | ✓ 0.816 | ✓ 1.15 |
| 1750 | —1K75 | | | | ✓ | ✓ | ✓ 0.090 | ✓ | ✓ | 0.129 | ✓ 0.224 | ✓ 0.224 | ✓ 0.258 | ✓ 0.387 | ✓ 0.447 | ✓ 0.577 | ✓ 0.816 | ✓ 1.15 |
| 1800 | —1K8 | | | | ✓ | ✓ | ✓ 0.090 | ✓ | ✓ | 0.129 | ✓ 0.224 | ✓ 0.224 | ✓ 0.258 | ✓ 0.387 | ✓ 0.447 | ✓ 0.577 | ✓ 0.816 | ✓ 1.15 |
| 2000 | —2K0 | | | | ✓ | ✓ | ✓ 0.090 | ✓ | ✓ | 0.129 | ✓ 0.224 | ✓ 0.224 | ✓ 0.258 | ✓ 0.387 | ✓ 0.447 | ✓ 0.577 | ✓ 0.816 | ✓ 1.15 |
| 2250 | —2K25 | | | | ✓ | ✓ | ✓ 0.090 | ✓ | ✓ | 0.129 | ✓ 0.224 | ✓ 0.224 | ✓ 0.258 | ✓ 0.387 | ✓ 0.447 | ✓ 0.577 | ✓ 0.816 | ✓ 1.15 |
| 2500 | —2K5 | ✓ | ✓ | 0.055 | ✓ | ✓ | ✓ 0.070 | ✓ | ✓ | 0.100 | ✓ 0.141 | ✓ 0.173 | ✓ 0.200 | ✓ 0.224 | ✓ 0.300 | ✓ 0.346 | ✓ 0.447 | ✓ 0.633 |
| 3000 | —3K0 | | | | ✓ | ✓ | ✓ 0.070 | ✓ | ✓ | 0.100 | ✓ 0.141 | ✓ 0.173 | ✓ 0.200 | ✓ 0.224 | ✓ 0.300 | ✓ 0.346 | ✓ 0.447 | ✓ 0.633 |
| 3500 | —3K5 | ✓ | ✓ | 0.046 | ✓ | ✓ | ✓ 0.060 | ✓ | ✓ | 0.084 | ✓ 0.119 | ✓ 0.141 | ✓ 0.160 | ✓ 0.182 | ✓ 0.224 | ✓ 0.267 | ✓ 0.333 | ✓ 0.447 |
| 4500 | —4K5 | | | | ✓ | ✓ | ✓ 0.060 | ✓ | ✓ | 0.084 | ✓ 0.119 | ✓ 0.141 | ✓ 0.160 | ✓ 0.182 | ✓ 0.224 | ✓ 0.267 | ✓ 0.333 | ✓ 0.447 |
| 5000 | —5K0 | ✓ | ✓ | 0.039 | ✓ | ✓ | ✓ 0.050 | ✓ | ✓ | 0.070 | ✓ 0.100 | ✓ 0.123 | ✓ 0.141 | ✓ 0.160 | ✓ 0.182 | ✓ 0.224 | ✓ 0.267 | ✓ 0.333 |
| 7500 | —7K5 | | | | ✓ | ✓ | ✓ 0.041 | ✓ | ✓ | 0.058 | ✓ 0.079 | ✓ 0.100 | ✓ 0.115 | ✓ 0.141 | ✓ 0.160 | ✓ 0.182 | ✓ 0.224 | ✓ 0.333 |
| 8000 | —8K0 | | | | ✓ | ✓ | ✓ 0.041 | ✓ | ✓ | 0.058 | ✓ 0.079 | ✓ 0.100 | ✓ 0.115 | ✓ 0.141 | ✓ 0.160 | ✓ 0.182 | ✓ 0.224 | ✓ 0.333 |
| 10000 | —10K | | | | ✓ | ✓ | ✓ 0.035 | ✓ | ✓ | 0.050 | ✓ 0.070 | ✓ 0.087 | ✓ 0.100 | ✓ 0.122 | ✓ 0.141 | ✓ 0.160 | ✓ 0.224 | ✓ 0.333 |
| 12500 | —12K5 | | | | ✓ | ✓ | ✓ 0.031 | ✓ | ✓ | 0.041 | ✓ 0.058 | ✓ 0.079 | ✓ 0.090 | ✓ 0.100 | ✓ 0.122 | ✓ 0.141 | ✓ 0.224 | ✓ 0.333 |
| 15000 | —15K | | | | ✓ | ✓ | ✓ 0.029 | ✓ | ✓ | 0.041 | ✓ 0.058 | ✓ 0.079 | ✓ 0.090 | ✓ 0.100 | ✓ 0.122 | ✓ 0.141 | ✓ 0.224 | ✓ 0.333 |
| 20000 | —20K | | | | ✓ | ✓ | ✓ 0.035 | ✓ | ✓ | 0.050 | ✓ 0.070 | ✓ 0.087 | ✓ 0.100 | ✓ 0.122 | ✓ 0.141 | ✓ 0.160 | ✓ 0.224 | ✓ 0.333 |
| 25000 | —25K | | | | ✓ | ✓ | ✓ 0.035 | ✓ | ✓ | 0.050 | ✓ 0.070 | ✓ 0.087 | ✓ 0.100 | ✓ 0.122 | ✓ 0.141 | ✓ 0.160 | ✓ 0.224 | ✓ 0.333 |
| 30000 | —30K | | | | ✓ | ✓ | ✓ 0.035 | ✓ | ✓ | 0.050 | ✓ 0.070 | ✓ 0.087 | ✓ 0.100 | ✓ 0.122 | ✓ 0.141 | ✓ 0.160 | ✓ 0.224 | ✓ 0.333 |
| 40000 | —40K | | | | ✓ | ✓ | ✓ 0.035 | ✓ | ✓ | 0.050 | ✓ 0.070 | ✓ 0.087 | ✓ 0.100 | ✓ 0.122 | ✓ 0.141 | ✓ 0.160 | ✓ 0.224 | ✓ 0.333 |
| 50000 | —50K | | | | ✓ | ✓ | ✓ 0.035 | ✓ | ✓ | 0.050 | ✓ 0.070 | ✓ 0.087 | ✓ 0.100 | ✓ 0.122 | ✓ 0.141 | ✓ 0.160 | ✓ 0.224 | ✓ 0.333 |

✓ = Standard values; check availability
 Rheostats are silicone-ceramic coated at and
 above the following ohmic values:
 Model C: all Model G: 5000
 Model E: 3500 Model K: 7500
 Model H: 7500 Model L: 7500
 Model J: 15,000

Check product availability at
www.ohmite.com